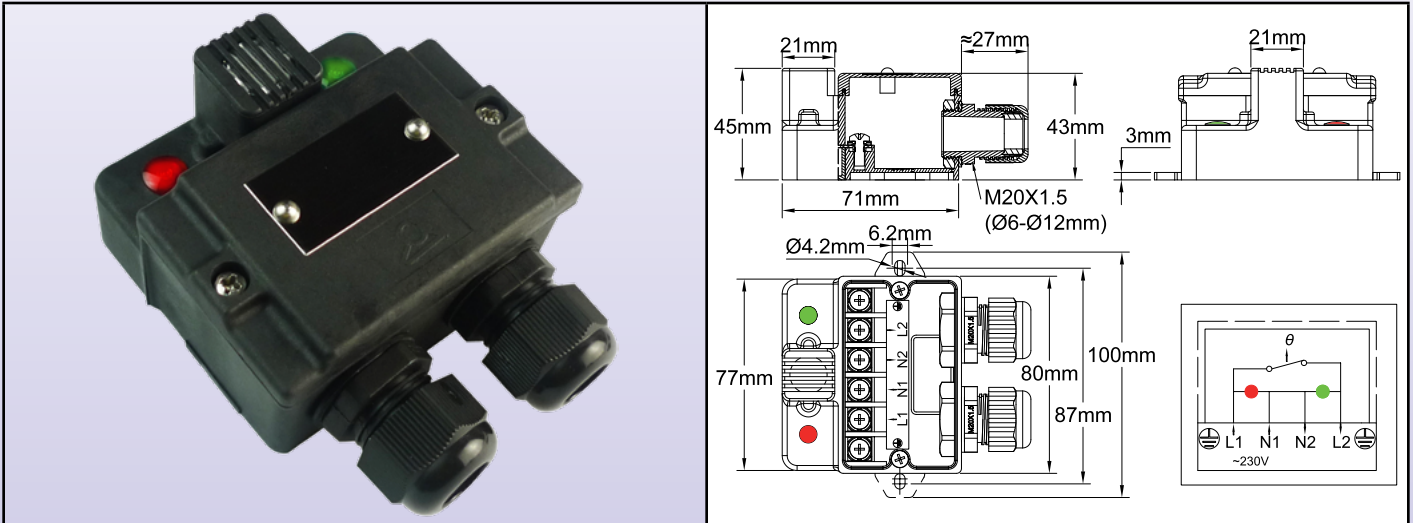


## Thermostats with IP65 plastic housings, Type Y2



### Fixed setting ambiance or antifreeze thermostat, IP65, cable gland output, two pilot lights

#### Type Y22D9



In these boxes, the thermostat, bimetal disc type, is over-molded, and is thermally insulated from the wall on which it is mounted. Its temperature sensing cup is mechanically protected by a grid. It is located in front of the enclosure to be in an area of natural circulation of air.

**Mounting:** Wall, by external side brackets. These tabs can be folded inwards. There also is the opportunity to practice two mounting holes inside for wall mounting (Note: in this case the ingress protection class IP65 on the rear wall is lost)

**Protection:** IP65 (IK 03 On thermostat guard, IK10 the rest of the housing)

**Material:** ABS-PC black glass-fiber reinforced

**Screws:** Stainless steel, captive

**Output:** 2 Cable glands M20, PA66, IP66, for cable 6 to 12mm dia.

**Electrical rating:** Single pole, 8 to 16A 250V (100,000 cycles). Contact style can be open on rise or close on rise.

**Pilot lights:** allow to visualize the power supply and thermostat contact position

**Identification:** The cover can be fitted with a 20x40mm riveted stainless steel identification plate (standard) or with a sticker (Option)

**Customization:** On request (MOQ apply)

**Connection:** Built in 4mm<sup>2</sup> screw terminal block

**Options:**

- Other calibration temperatures
- Cream color housing
- Incorporation of a temperature sensor (thermocouple, Pt100 or Pt1000, thermistor)
- 115V pilot lights

Calibration temperature °C (°F)	Close temperature °C (°F)	Electrical rating	Main uses	References
8°C (46, 4)	3°C (37, 4)	8A 250V	Ice detection, starts an antifreeze or heating system	Y22D9J00806USUSA
10°C (50)	4°C (39, 2)	10A 250V	Ice detection, starts an antifreeze or heating system	Y22D9K01006USUSA
10°C (50)	4°C (39, 2)	16A 250V	Ice detection, starts an antifreeze or heating system	Y22D9L01006USUSA
30°C (86)	20°C (68)	10A 250V	Over-heating detection in residential premises, heating stop	Y22D9K03006USUSA
20°C (68)	30°C (86)	10A 250V	Over-heating detection in residential premises, alarm (NO contact)	Y22D9K02006USUSA
70°C (158)	60°C (140)	10A 250V	Fire detection (withstand sprinklers water sprays)	Y22D9K07006USUSA

Because of permanent improvement of our products, drawings, descriptions, features used on these data sheets are for guidance only and can be modified without prior advice